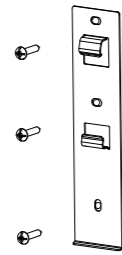
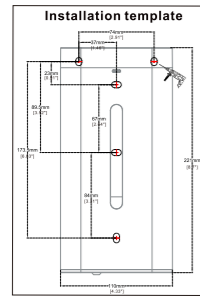
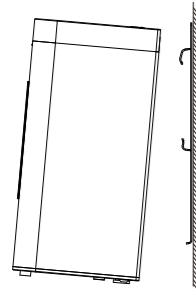


Installation method

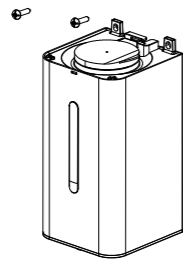


1. Stick the installation template on the wall, drill 5 holes and insert the plastic expansion tube.

2. Fix the mounting plate on the wall by screws.

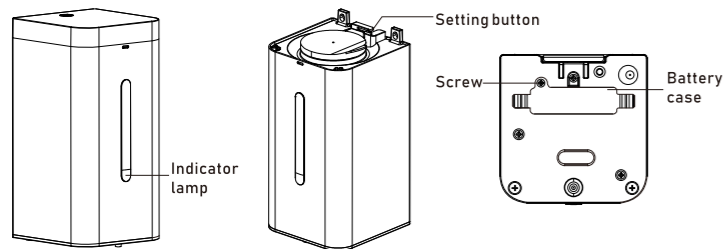


3. Hang on the machine to the hook of the mounting board.



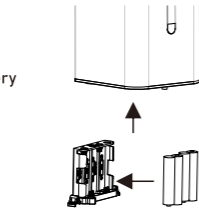
4. Fix the bottle bracket into the expansion tube by screws.

Install and change the battery



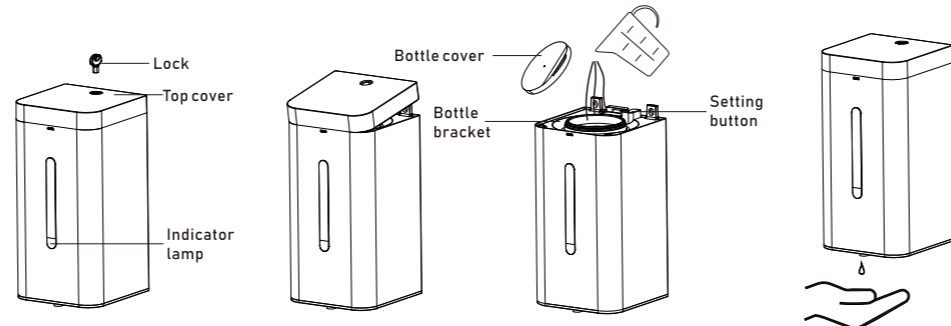
1. Please change the battery when the indicator lamp become red. 2. Turn off the machine (Press the setting button till 5 seconds)

3. Take off the screw and take out the battery case



4. Change the battery, put back the case and fix it by screw. Then press the setting button again, the machine will on standby.

Usage



1. Open the top cover by keys, after battery installed.

2. Open the top cover.

3. Open the bottle cover, fill the liquid, and clean the bottle bracket and the bottle cover.

4. Put hand under the sensor area, till the liquid come out..



Please make sure children with a guardian while using this machine to prevent them from eating soap by mistake. In order to protect the environment, please do not discard the batteries that have been used up. Please dispose of the used batteries according to the designated recycling method. Please do not spray water on this machine, precision electronic circuits inside.

1. After the battery is installed, the indicator lamp flash one time, the machine is in sleep mode. Please press the setting button, the machine will be on standby.

2. The machine is in sleep mode when it left factory, please press the setting button for using, the indicator light flashes one time, the machine enters the standby mode.

If you press and hold the setting button for 5 seconds, the indicator will flash one time, and the machine will enter the sleep mode.

Note:

3. The power supply of this machine include battery and DC adaptor, each time the power been cut off, the machine will be in sleep mode. Please press the setting button, the machine will be in standby mode again. When we use the DC adaptor power, the power from the battery will be cut off automatically.

Maintenance

1. There are precision electronic devices and solenoid valves in this machine, please do not hit it to avoid malfunction

2. Please be careful not to damage the wires, while disassembling this machine,.

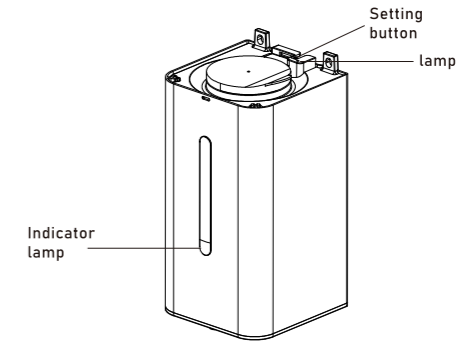
3. If the product needs to be cleaned, please wipe it with a soft cloth dipped in neutral detergent. Then wipe off detergent and dirt with a damp cloth that has been wrung out.

Do not spray water on the machine or use detergents containing particles such as decontamination powder, washing powder, thinner or nylon brush to avoid damage the shell or erosion of internal electronic components. Pay special attention not to damage the transparent cover of the sensor window to avoid the sensor effect getting worse.

4. If the machine has not been used for a long time, when you want to use it is again, please fill in the warm water (60 degree) working it for several time, in cause the liquid is frozen.

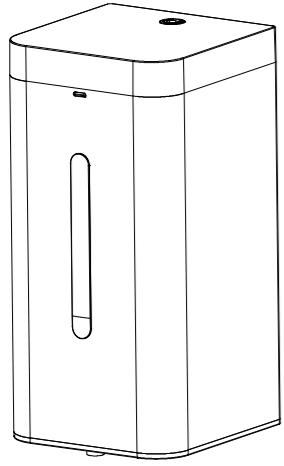
Adjust liquid supply

This machine has five different liquid supply, 0.5 ml, 1ml, 2ml, 3 ml, 4ml. When the machine is in standby state, pressing the setting button, it will adjust the liquid supply. The factory setting is 1.0 ml. The liquid supply may be different because of different liquid. Each time pressing the setting button, the lamp will flash accordingly. 0.5ml flash 5 times, 1ml flash 1 time, 2ml flash 2 times, 3ml flash 3 times, 4ml flash 4 times.



Malfunction

Appearance	Reason	Solution
Indicator lamp not working	PCB is broken	Changing PCB
	Power supply	Check the battery or the DC supply whether is normal
	Internal wires is loosen	Check the internal wires or contact the dealer
	Sensor window is dirty	Clean the sensor window
Indicator lamp become red	Batteries used up	Replace the new batteries (4 all)
Indicator lamp is working, machine do not working	The sensor is continuously sensing	Remove the object under the sensor
	Sensor distance is too long	Contact the dealer
	The machine is broken	Contact the dealer
Liquid supply not sufficient	Working time is too short	Adjust the liquid supply
	Liquid is too sticky	Please change the suitable liquid
	Liquid frozen	Sense the machine continuously for several times till liquid come out normal or contact the dealer
Note: Avoid varia come into the bottle to avoid blockage		



— User Manual —

Automatic Dispenser

Please read user manual carefully before using and keep it.

Safety Caution

Instruction Prohibited A must Do not open Keep away from fire

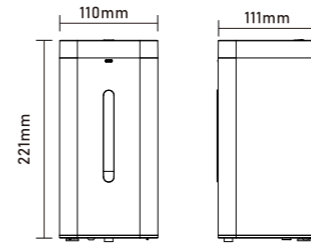
- ⚠ Please do not placed in sunlight to avoid deformation
- ⚠ Do not be rude to use the product, will damage the machine
- ⚠ Please take out the battery and pour out soap when not in use for a long time
- ⚠ Please cleaning products regularly

- ⚠ Do not wash with water, will damage the machine
- ⚠ Do not intentionally break or crash the machine.
- ⚠ Please do not use highly corrosive chemical solvent cleaning products.
- ⚠ Please do not let the dust into the liquid soap dispenser.

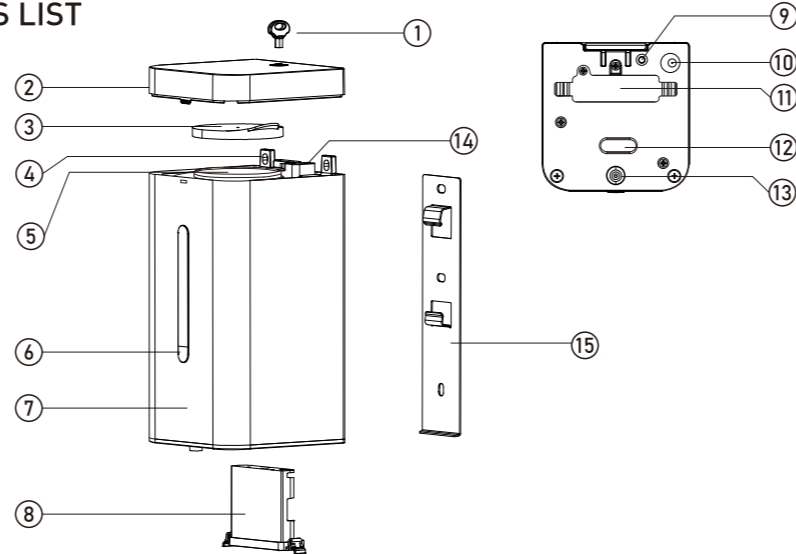
- ⊗ Absolutely not to disassemble, repair, renovate personally, etc. Will cause the machine breakdown, etc. About repair, please consult the selling store or our company customer service.
- ⚠ Do not pour into corrosive chemicals, etc
- ⚠ Keep away from fire

Specification

Product	Automatic soap dispenser
Sensor	Infrared sensor
Detect Distance	10CM+/-2CM
Unit Materials	Aluminium+ABS
Vol	1000ml
Battery life	55000 times
Power supply	<ul style="list-style-type: none"> • A: 4 pcs "AA" size alkaline Battery • B: AC/DC adaptor (alternative), please consult with the sales

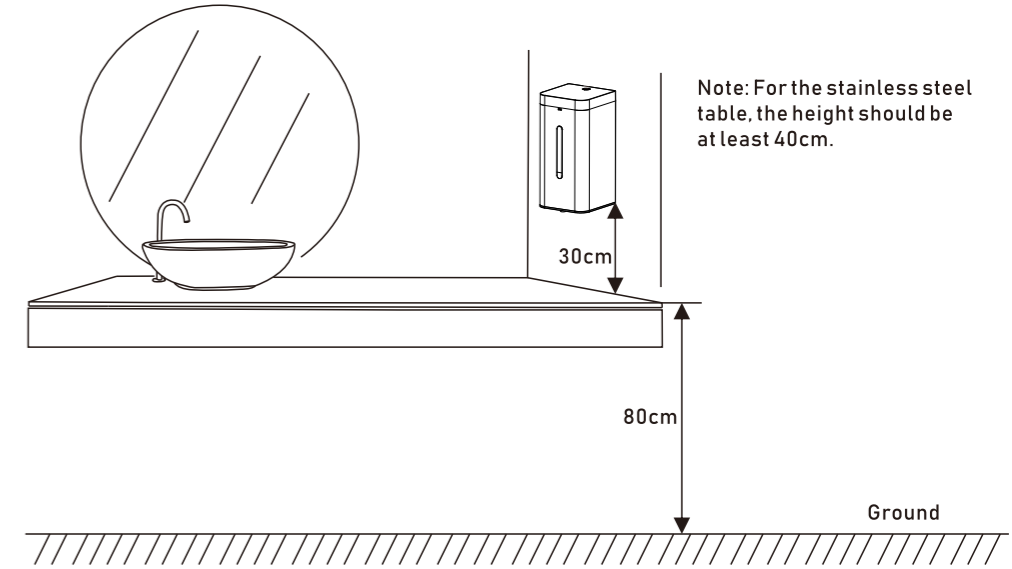


PARTS LIST



- ① Lock
- ② Top cover
- ③ Bottle cover
- ④ Bottle bracket
- ⑤ Bottle
- ⑥ Indicator lamp
- ⑦ Shell
- ⑧ Battery case
- ⑨ Drain
- ⑩ DC socket
- ⑪ Bottle bracket cover
- ⑫ Sensor
- ⑬ Out let
- ⑭ setting button
- ⑮ Mounting plate

Installation



Note: For the stainless steel table, the height should be at least 40cm.

In order to ensure this machine will give a full play to its unique functions and extend its service life in future work, please pay attention to the following points.

1. Please read user manual carefully before using before installation.
2. Please install 4 pcs "AA" size alkaline battery, the brand of the battery should be same, please do not mix the new and used battery together.
3. Please make sure the wall is flat and wipe the wall clean, before installing this machine.
4. Please install the machine 30 cm height at least above the table.
5. Please give this user manual to the user after installation.
6. Please make sure there is clear under the sensor area.
7. Please do not install reflective items or photoelectric sensor under the sensor area, avoiding malfunction.
8. Please do not install this machine in direct sunlight, avoiding malfunction.

Packing list

- Machine: 1pc
- Installation template: 1pc
- Self tapping screw: 5 pcs
- User manual: 1pc
- Key: 1pc
- Expansion tube: 5 pcs