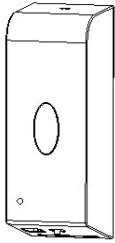
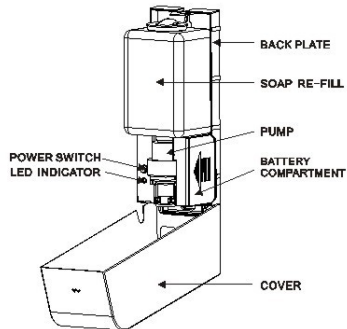


ELECTRONIC SOAP DISPENSER INSTRUCTION



Electronic Soap Dispenser Parts Breakdown



INSTALLATION METHOD

1. Insert the key into the hole located at the top of the dispenser, push down with the key and pull the cover towards you. the cover controls a power interlock switch located in the dispenser. In the closed position, the cover will actuate the power switch. The dispenser will not activate when the cover is in the open position.
2. Using supplied installation dimension diagram as a template, mark screw hole locations on the wall, drill 3 holes and installed supplied anchors in the wall. Secure the dispensers with the supplied screws.
3. Remove the battery compartment by depressing the compartment tab pulling the compartment towards you. Insert six(6)AA size alkaline as diagramed in the battery compartment. Replace the battery compartment by sliding the compartment towards the back of the dispenser until it clicks into place.

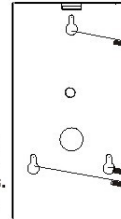


FIGURE 1

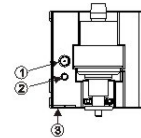


FIGURE 2

1. POWER SWITCH
2. LED INDICATOR
3. SENSOR PARTS

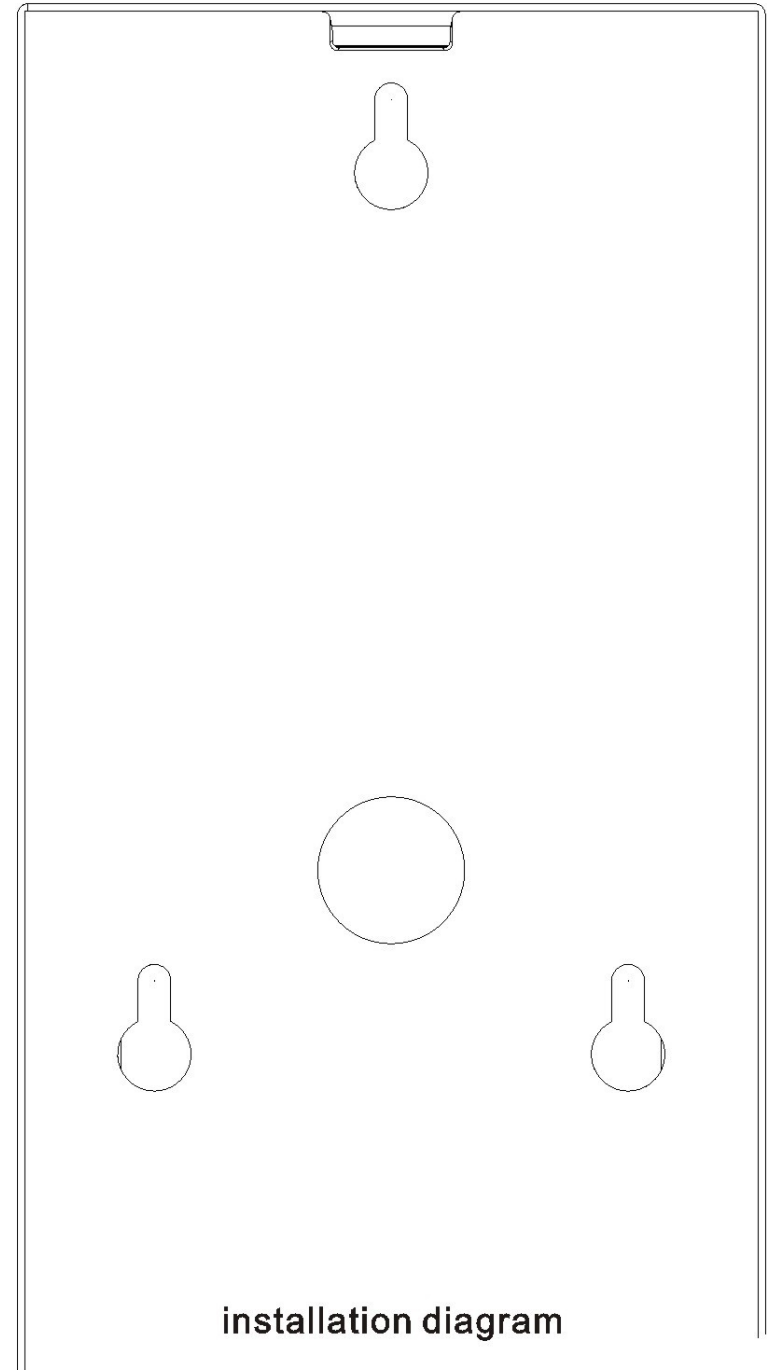
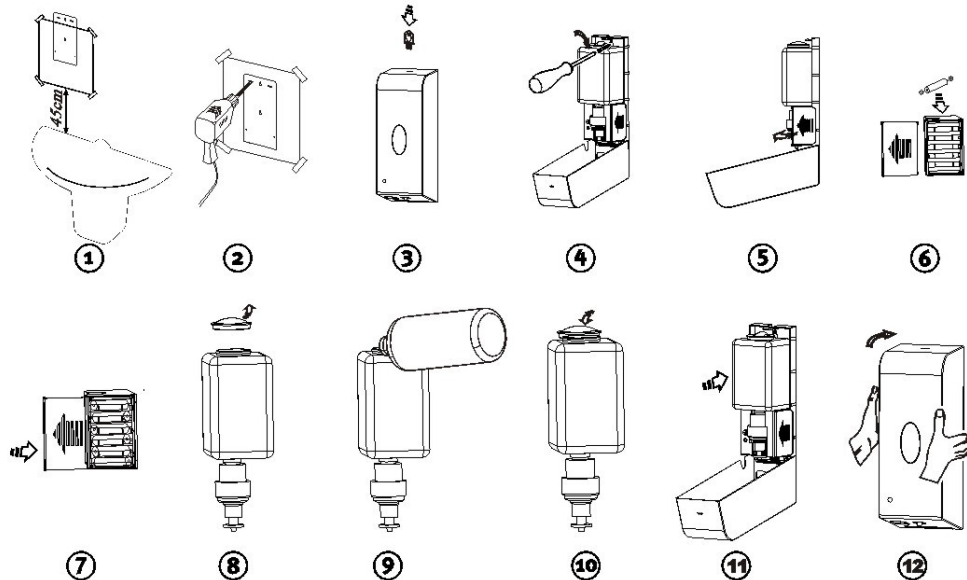
USAGE:

1. Fill the soap into the receptacle or installate one soap bag with soap in the dispenser.
2. Loading batteries and the LED will flash 3 times indicating the dispenser is ready for use, place hand(s) underneath dispenser within 5" of the sensor, the dispenser will dispense approximately 2ml of soap(0.8ml foam soap) Into your hand(s).

Note:

1. The dispenser cover must be closed to activate.
2. When the supply voltage is too low, the LED will blink continuously, and then the dispenser won't work or leak, please change the batteries immediately.
3. The minimum distance from dispenser bottom to the bathroom table :25cm.

Please pass the instruction to the user after finish install



installation diagram