

MANUAL INSTRUCTION

Automatic liquid soap and disinfectant dispenser 1l HIT

Code: SA1003SJB



GENERAL DESCRIPTION

- + Liquid soap/foam dispenser 1 Lt capacity, is made with stainless steel 304 S.S 0.70 mm thickness.
- + Pull handle made with stainless steel 304.
- + Available in four type of finishes (white, black, bright and satin)
- + Useful for the public areas
- + It is recommended use only for soap, foam optional and hand sanitizing liquids.
- + **It doesn't support that contains chlorine or solid abrasive particles.**
- + It is mounted with four steel 4 mm screws (provided in the box) with their 8 mm plastic plugs (also provided)
- + It has lock system that protects the inner tank made with steel and provided into the box.
- + Inner plastic tank is made with polyethylene . The tap on the tank helps to refill easily .

COMPONENTS AND MATERIAL

Stainless Steel 304 satin finish

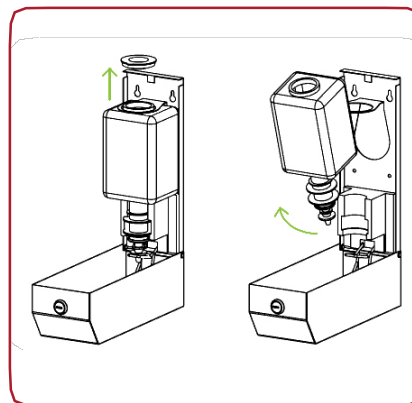
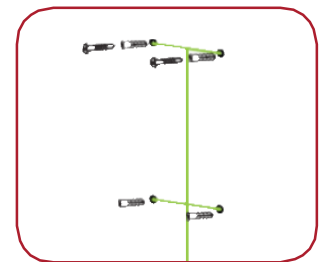
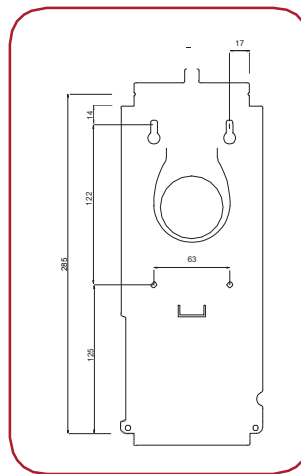
DOSAGE VOLUME OF THE PUMPS

- + Soap Pump: 1.6 ml per drop.
- + Foam Pump: 0.45 ml per drop.
- + Spray Pump: 0.4 ml per drop.

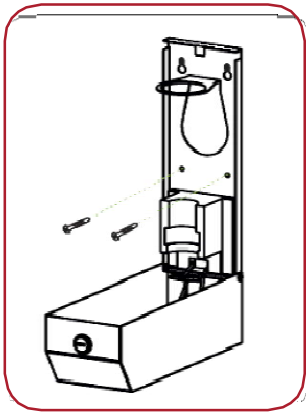
INSTALLATION

- + First measure out where the liquid dispenser will be placed , mark four holes and drill into the wall.

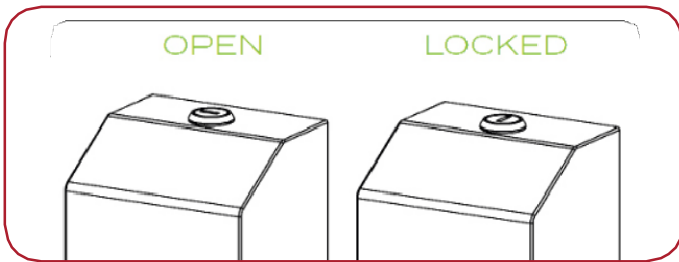
- + Insert the provided wall plugs and screw in the top two screws, leaving a slight gap for the dispenser to slot onto.



- + Remove the liquid container before mounting the dispenser to the wall. This can be done by removing the lid and lifting the metal ring to allow the liquid container to release.



- + Slot the dispenser onto the two previously fixed screws and then screw final two screws.
- + Once the dispenser is secure, insert the liquid container back into the dispenser.
- + Once the container is back in place, use the provided key to lock the cover closed.



INSERTING THE BATTERIES

1. Open the battery compartment by removing the cover.
2. Insert 6Xaa size alkaline batteries paying attention to the polarity. Alkaline batteries are highly recommended. Put the cover back on the battery compartment by pushing until "click"
3. Close the front cover of the dispenser

ATTENTION

The dispenser cover must be closed to work properly. When the supply voltage is too low, Led will blink continuously and then the dispenser will not work. Please change the batteries immediately.

FILLING THE TANK

1. Open the cover as described here above.
2. Unscrew the cap at the top and fill the tank avoiding spilling outside. Replace the cap and close the cover.
3. The dispenser works automatically at each detection of hands under dispenser sensor.

ATTENTION

On first time use or after not using it for a long time, it is likely to find air inside the pump. We suggest to activate sensor several times to make air come out.

MOUNTING TEMPLATE

Should be minimum 100 cm high from the floor.

DISPENSER REPLACEMENT REQUIREMENTS AND RECOMMENDATIONS

The following recommendations are intended to provide guidelines on the best possible placement of the dispensers. Because every location a dispenser is to be mounted is different, depending on customer site, physical size limitations, and available space, these recommendations may not always be entirely possible to follow. However, when placing a dispenser installation must meet ADA requirements and should promote ease of use and be in union with its surroundings. Upon installation, the dispenser should be level and the job results professional, presentable and fully functional.

AFTERCARE INSTRUCTIONS

- + Regular cleaning with a soft cloth will keep the surface of your product looking new. Soapy water can be used to remove stubborn marks. Don't use abrasive or chemical cleaners as they may damage the surface finish overtime.
- + Don't expose to sunlight.
- + Don't respond to the product with force against the possibility of damnification, deformation.
- + Don't throw any cigarettes and flammable materials into the product.

							
PRODUCT CODE 1090FT	LITER 1 L	PRODUCT DIM. 8,5x10x28,5 cm	CARTON DIM. 40x34x36 cm, 12,5 kg	INBOX QUANTITY 12	PALLET QUANTITY 360	GROSS PALLET DIMENSIONS, WEIGHT 80x120x195 cm, 390 kg	